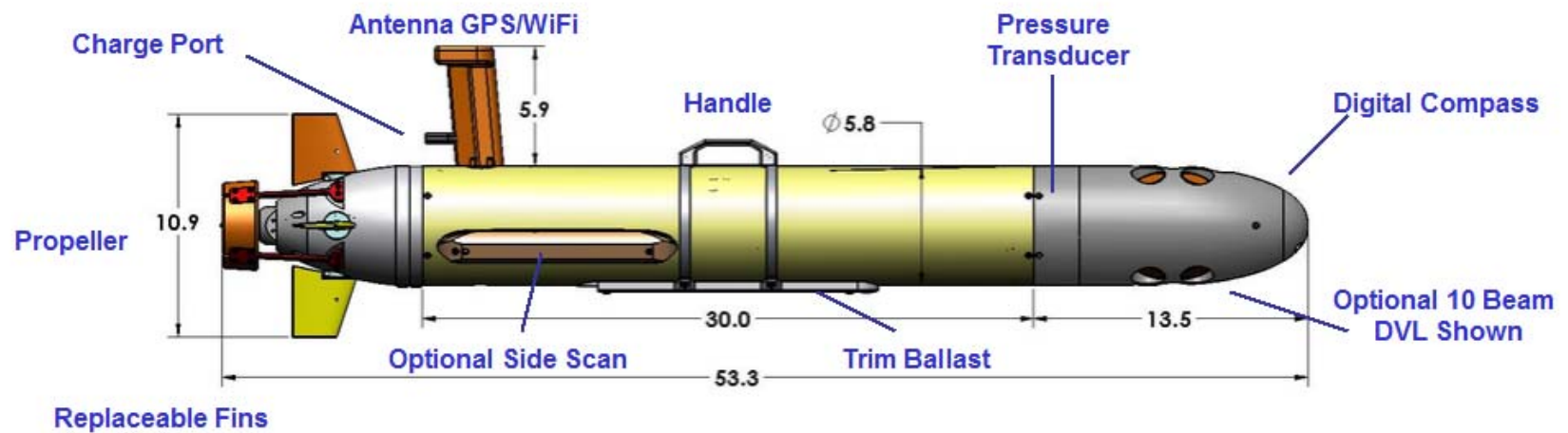
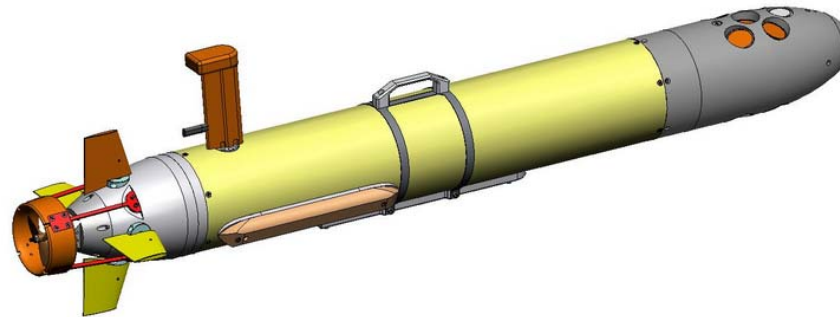


# Iver2 DVL Options





Single Frequency, 4-beam Down-Looking DVL (4 velocity and bottom location beams)

Dual Frequency, 5-beam Down-Looking DVL (4 velocity and bottom location beams, and 1 vertical beam for high-resolution bathymetry/altimetry information)

Dual Frequency, 10-beam Down and Up Looking DVL (4 velocity and bottom location beams, and 1 vertical beam for high-resolution bathymetry/altimetry information in the downward position and 4 velocity and bottom location beams, and 1 vertical beam for high-resolution vehicle/surface location information in the upward position).

The 10 Beam DVL with the Water Profiling option would be capable of outputting:

- Bottom Track (vehicle position)
- Surface Track (vehicle position)
- Average cell velocity under vehicle
- Average cell velocity above vehicle
- High-resolution range to bottom – bathymetry/altimetry
- High-resolution range to surface – vehicle depth from surface
- Water Profiling under the vehicle
- Water Profiling above the vehicle

Roper Resources Ltd.  
 Cdn Sales: (250) 361-9115  
 US Sales: (805) 798-0277  
 Chris@RoperResources.com  
 www.RoperResources.com