

IMAGENEX MODEL 965 MULTIBEAM IMAGING SONAR

APPLICATIONS:

- ROV, AUV, & UUV
- Offshore Oil & Gas
- Sunken Timber Recovery
- Diving Support
- Surveying
- Search & Recovery
- Inspection
- Underwater Archaeology
- Scientific Research
- Harbour Surveillance

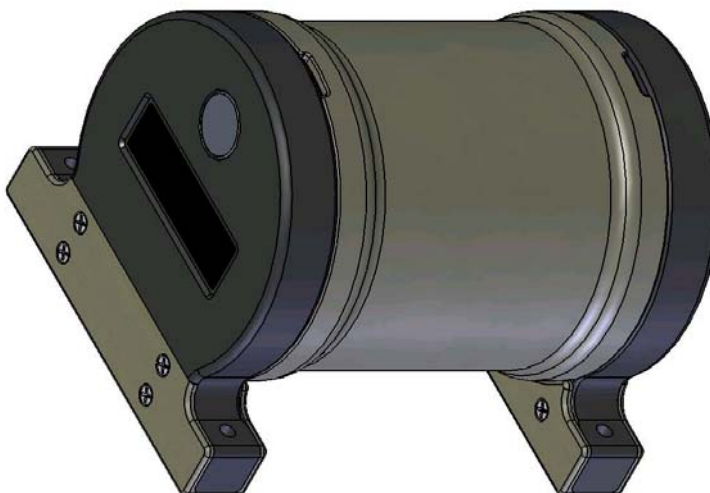
FEATURES:

- Programmable
- High speed
- High performance
- Lower cost
- Low power
- Simple set-up and installation
- Ethernet
- 5 m to 100 m range scales
- Integrated Video Capture and Display

The Imagenex Model 965 is a multiple receiver sonar system designed to provide high-speed imaging with all the advantages of underwater sonar. Innovative digital signal processing is used to optimize data usage from all channels to achieve the best possible resolution at every point in the field of view. Recent advances in computing power have made it possible to transfer and process this data at resolutions equal to computer monitor resolution, and with image frame rates of up to 10 frames per second!

The 965 system has been designed from the ground up with the most advanced, high accuracy, low power electronic components available to provide breakthroughs in system power consumption, package size, and price. This advanced electronics package has built in flexibility and programmability to accommodate a wide range of transducer arrays. Thus, the 965 is the first in a family of new technology products which will have imaging and profiling capabilities to suit your underwater application.

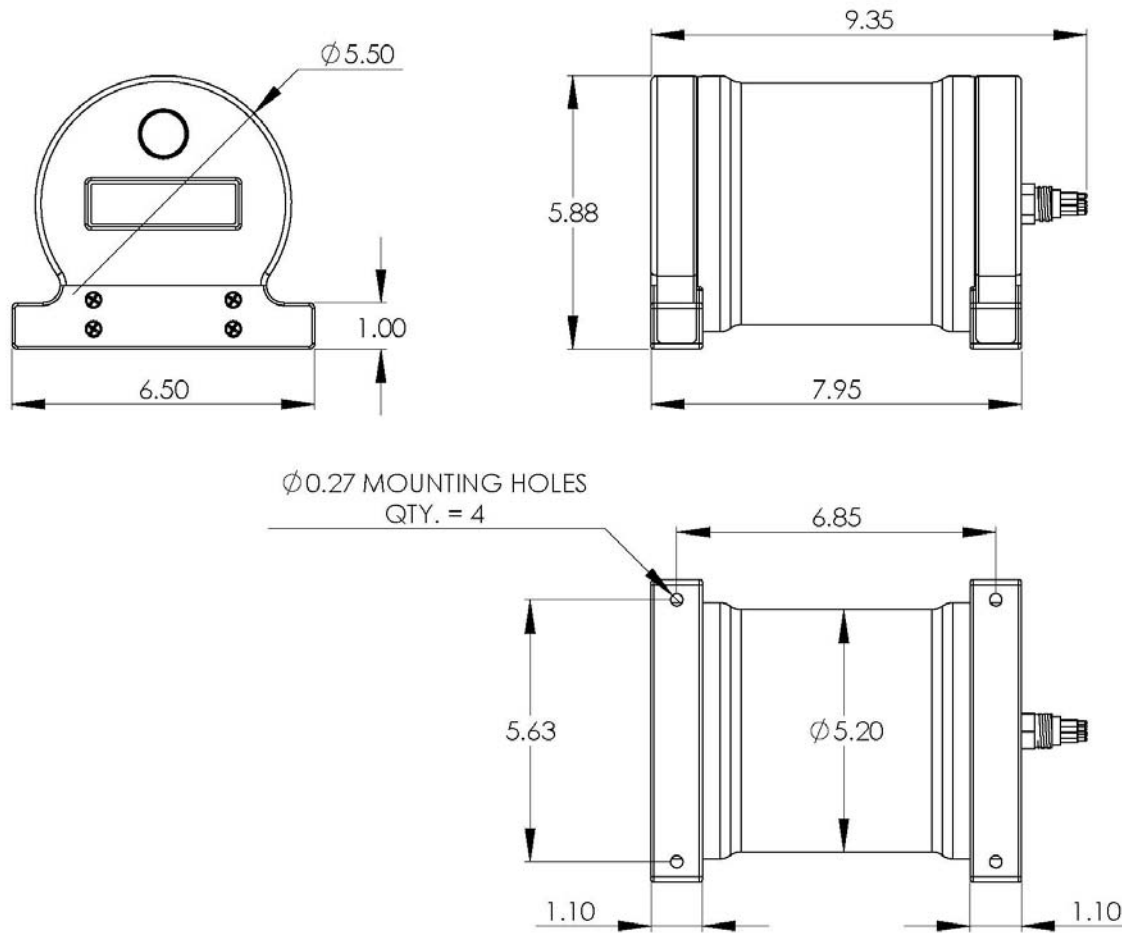
Imagenex sonars: advancing underwater imaging capability for the everyday user.



HARDWARE SPECIFICATIONS:	
FREQUENCY	Nominal 800 kHz
TRANSDUCER BEAM WIDTH (nominal)	Receive: 120° (horizontal) x 20° (vertical) Transmit: 120° (horizontal) x 20° (vertical)
EFFECTIVE HORIZONTAL BEAM WIDTH	2.0°, 1.0°
BEAMS*	120, 240, 480
RANGE RESOLUTION	0.2% of range
MIN. DETECTABLE RANGE	0.5 m
MAX. OPERATING DEPTH	300 m
FRAME RATE	Up to 10 fps
INTERFACE TO PC	Standard: 10 Mbps Ethernet (10 BASE-T) using TCP/IP Bit rate may vary if an Ethernet extender is in use.
MAX. CABLE LENGTH	Standard: 100 m on CAT5e Cable length may be increased up to ~9000 m using an Ethernet extender. Please enquire for more information.
CONNECTOR	End mounted, 8 conductor, wet mateable (Subconn MCBH-8M-SS)
POWER SUPPLY	22 – 32 VDC at less than 20 Watts
DIMENSIONS	See drawing
WEIGHT: In Air	~ 3.1 kg (7 lbs)
In Water	~ 0.2 kg (0.4 lb)
MATERIALS	6061-T6 Aluminum, Epoxy, PVC, Stainless Steel connector
FINISH	Hard Anodize

* Data is acquired at full resolution every shot: processing the data for screen display on a PC can slow the system at highest number of beams. 120 beam mode is recommended for real time data acquisition. The data can then be played back at highest resolution (480 beam).

SOFTWARE SPECIFICATIONS:	Win965.exe
WINDOWS™ OPERATING SYSTEM	Windows™ XP, Vista, 7
DISPLAY MODES	Sector, Linear, Perspective, Profile, Beam Test
PERSISTENCE (TRAIL)	1 – 300 seconds
RANGE SCALES	5 m, 10 m, 20 m, 30 m, 40 m, 50 m, 60 m, 80 m, 100 m
SECTOR SIZES	30°, 60°, 90°, 120°
FILE FORMAT	(filename).965
RECOMMENDED MINIMUM COMPUTER REQUIREMENTS:	2 GHz Pentium 4 256 MB RAM 20 GB Hard Disk 1024 x 768 screen resolution



ORDERING INFORMATION:		
300 m UNIT	Standard	965-000-100
Right Angle Connector	Option	-010
IP Address*	Option	-020

*Note: Standard IP Address is 192.168.0.2
 A different IP Address may be specified upon ordering.

Product and company names listed are trademarks or trade names of their respective companies.