



881 Tilt Adjust
445-012 AUGUST 2002

IMAGENEX MODEL 881 DIGITAL TILT ADJUST IMAGING SONAR

APPLICATIONS:

- ROV, AUV, & UUV
- Offshore Oil & Gas
- Sunken Timber Recovery
- Diving Support
- Surveying
- Search & Recovery
- Inspection
- Underwater Archaeology
- Scientific Research
- Site Clearance Work

FEATURES:

- High performance
- Simple set-up and installation
- Digital telemetry
- Communication format available to user



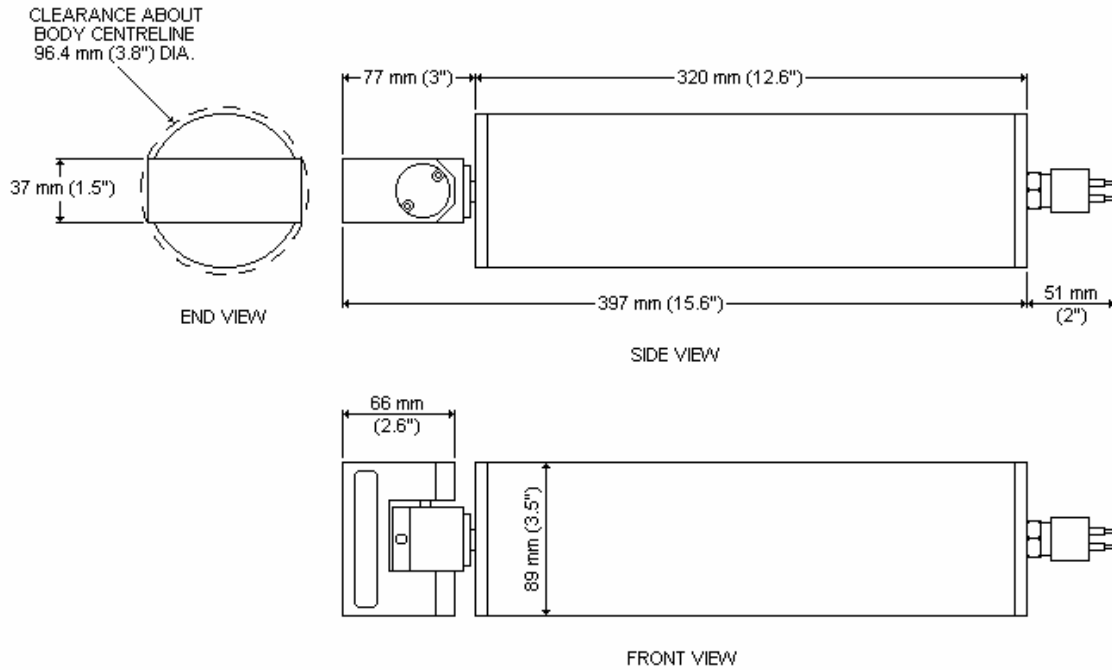
Picture shown with optional
low profile end mount connector

The Imagenex Model 881 Tilt Transducer allows the user to concentrate the sound towards the bottom. Typical uses are in bottom mounted stationary tripods for scientific studies of sand wave motion and/or mine burial.

HARDWARE SPECIFICATIONS:	
FREQUENCY	675 kHz (standard) 1.3 MHz or 2.25 MHz (optional)
TRANSDUCER	Imaging type, Tilt adjustable
TRANSDUCER BEAM WIDTH	1.7° x 30°
RANGE RESOLUTION	10 mm (3 mm optional)
MIN. DETECTABLE RANGE	150 mm
MAX. OPERATING DEPTH	1000 m (3300')
MAX. CABLE LENGTH	1000 m on twisted shielded pair (RS-485)
INTERFACE	RS-485 @ 115.2 kbps, 2 wire or 4 wire available (7 pin connector for 4 wire)
CONNECTOR	End mount connector (Impulse BH-4-MP-SS) or optional low profile end mount connector
POWER SUPPLY	22 - 48 VDC at 1 Amp max.
DIMENSIONS	89 mm (3.5") diameter x 397 mm (15.6") length
WEIGHT: In Air	3.2 kg (7 lbs)
In Water	1.5 kg (3.3 lbs)
MATERIALS	6061-T6 Aluminum, 300 series stainless steel, PVC, acetal homopolymer, epoxy
FINISH	Anodized & polyester powder

SOFTWARE SPECIFICATIONS:		Win8812w.exe
WINDOWS™ OPERATING SYSTEM		Windows™ 95, 98, Me, NT*, 2000*, XP*
MODES		Side Scan, Polar, and Sector
RANGE SCALES	Standard:	5 m, 10 m, 20 m, 30 m, 40 m, 50 m, 60 m, 80 m, 100 m, 150 m, 200 m
	High Res:	1.5 m, 3 m, 6 m, 9 m, 12 m, 15 m, 18 m, 24 m, 30 m, 45 m, 60 m
TRAIN ANGLES		± 210°, 3° increments
SECTOR SIZE:		
SECTOR MODE		0° - 180°, 3° increments
POLAR MODE		0° - 360°, 3° increments
STEP SIZES		Slow (0.3°), Medium (0.6°), Fast (0.9°), Faster (1.2°), Fastest (2.4°)
GRID TYPES		Polar and rectangular
FILE FORMAT		(filename).81b
RECOMMENDED MINIMUM COMPUTER REQUIREMENTS:		100 MHz Pentium 16 MB RAM 1 GB Hard Disk 800 x 600 x 256 colour graphics

* Requires Win8812w.exe v3.00 or higher (Free upgrade available for older versions – Contact Imagenex)



ORDERING INFORMATION:		
1000 m UNIT	Standard	881-000-109
1.3 MHz	Option	-002
2.25 MHz	Option	-003
4 Wire	Option	-008
Low profile end mount connector	Option	-011
Split Head	Option	-014
High Resolution (3 mm)	Option	-015
Interface source code in "C" (TEST8812.C)	Option	-018

Product and company names listed are trademarks or trade names of their respective companies.