



862 Altimeter
445-007 AUGUST 2002

IMAGENEX MODEL 862 ANALOG ALTIMETER

APPLICATIONS:

- Measure altitude of structures & objects
- Measure range to other structures & objects
- Monitor sedimentation or scouring
- ROV, AUV, & UUV

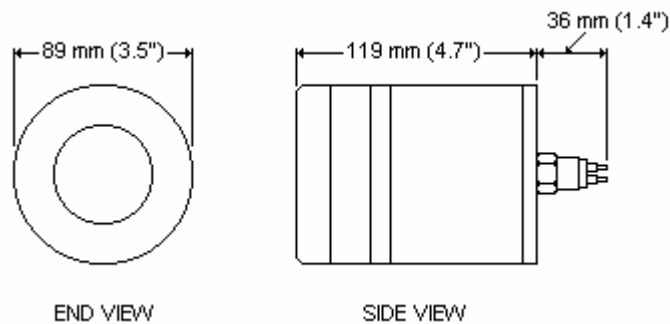
FEATURES:

- Standard analog output
- Self contained
- Low power
- Compact size



The Imagenex Model 862 is a completely self-contained altimeter with analog output. It is mounted in a pressure proof housing with an underwater connector for use at depth. The 862 Altimeter measures the range to the bottom or other large objects. It requires only power and an analog interface to an external device.

HARDWARE SPECIFICATIONS:	
FREQUENCY	330 kHz
RANGE	0.6 m – 30 m (2' – 100')
TRANSDUCER	Conical beam
TRANSDUCER BEAM WIDTH	10°
TRANSMIT PULSE LENGTH	100 microseconds
RANGE RESOLUTION	20 mm
MIN. DETECTABLE RANGE	100 mm
MAX. OPERATING DEPTH	1000 m (3000 m and 6000 m available)
OUTPUT	0.2 – 10V (0.1 – 5V optional) proportional to range
CONNECTOR	Four conductor wet mateable, Impulse MCBH-4-MP-SS
POWER SUPPLY	22 – 32 VDC at 100 mA max.
DIMENSIONS	89 mm (3.5") diameter x 119 mm (4.7") length Overall length: 155 mm (6.1")
WEIGHT: In Air	1000 m unit: 1 kg (2.2 lbs)
In Water	1000 m unit: 0.4 kg (0.8 lbs)
MATERIALS	6061-T6 Aluminum & PVC
FINISH	Anodized



ORDERING INFORMATION:		
1000 m UNIT	Standard	862-000-200
3000 m UNIT	Standard	862-000-201
6000 m UNIT	Standard	862-000-202
0.1V – 5V OUTPUT	Option	-012

Product and company names listed are trademarks or trade names of their respective companies.